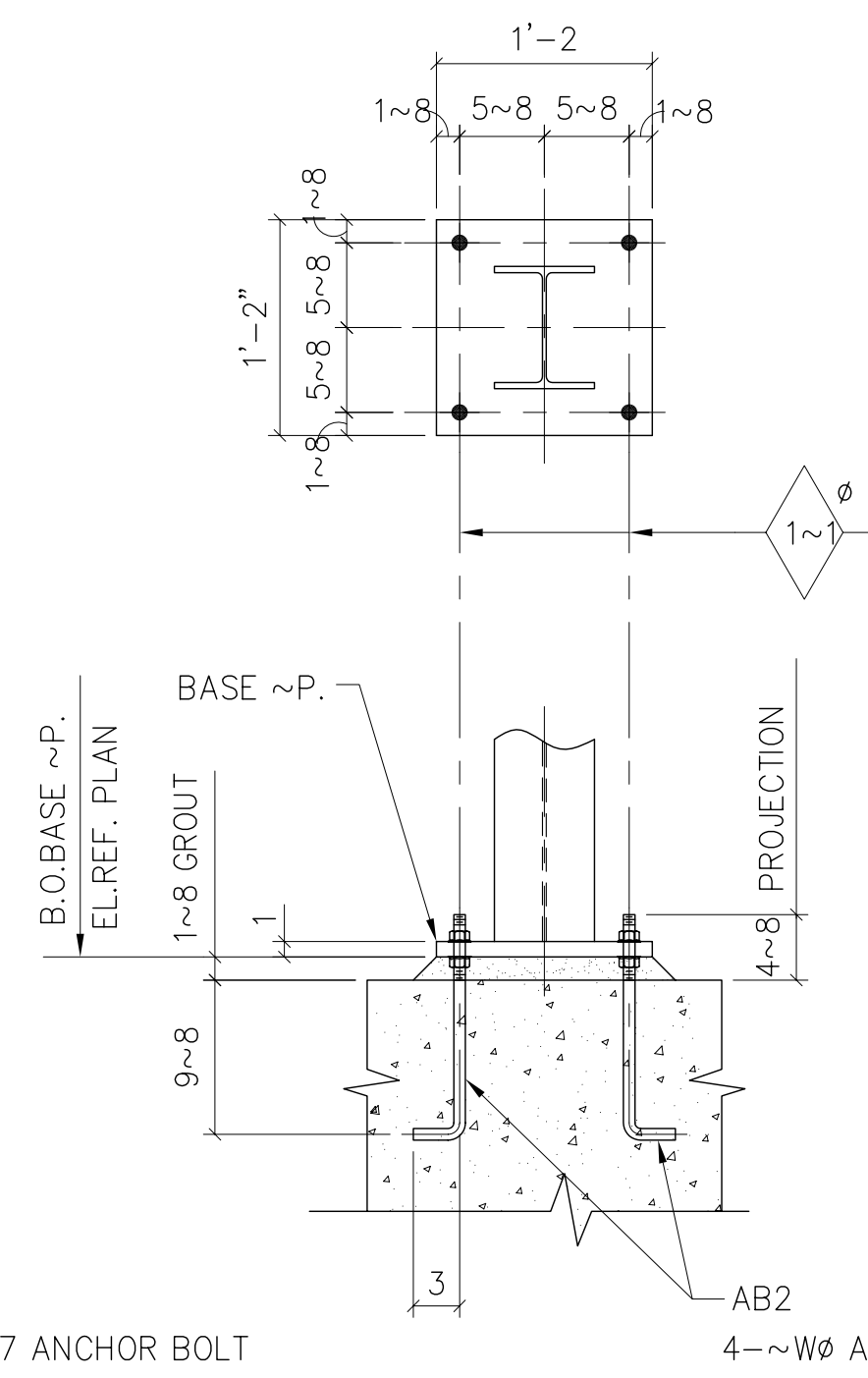
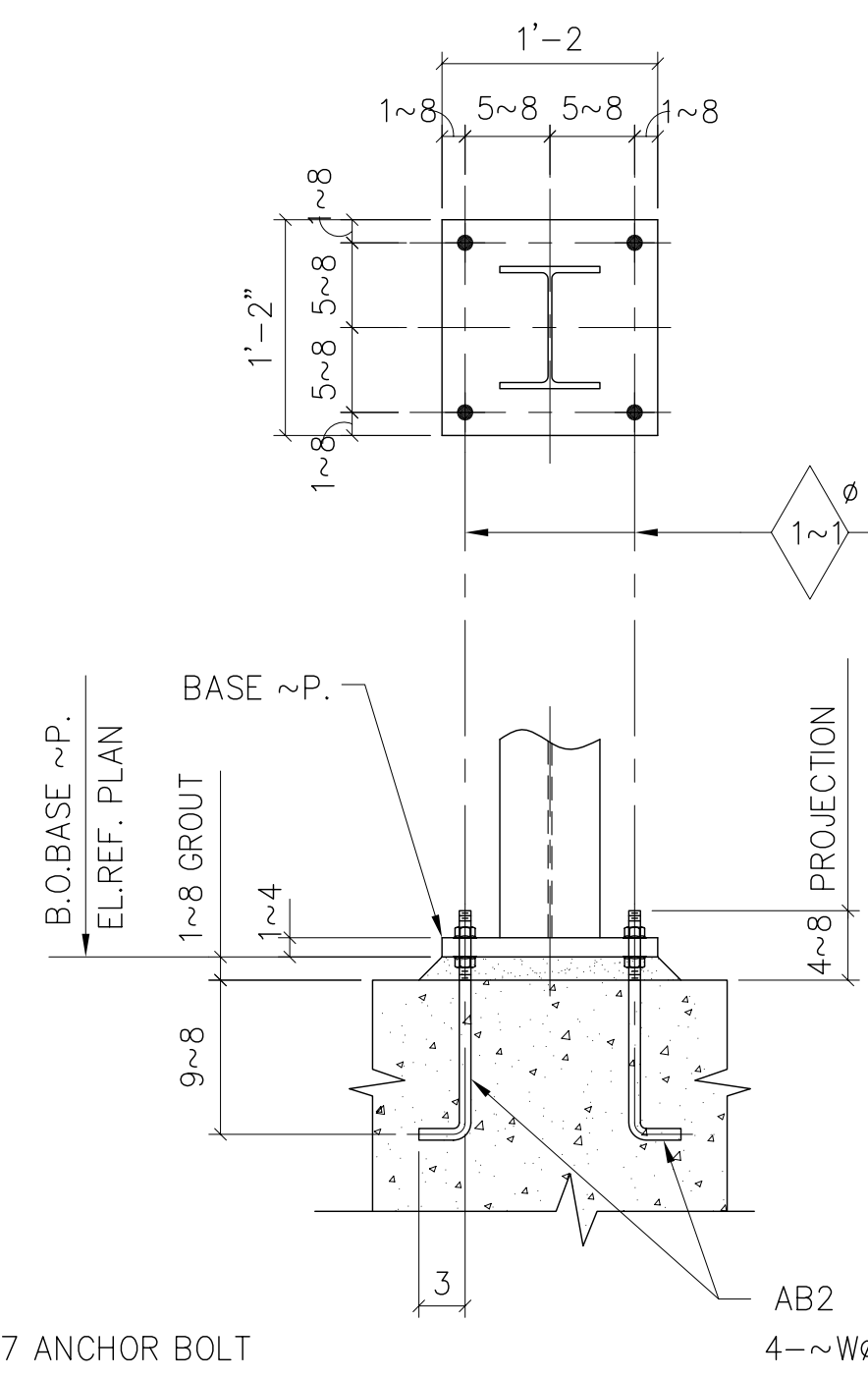


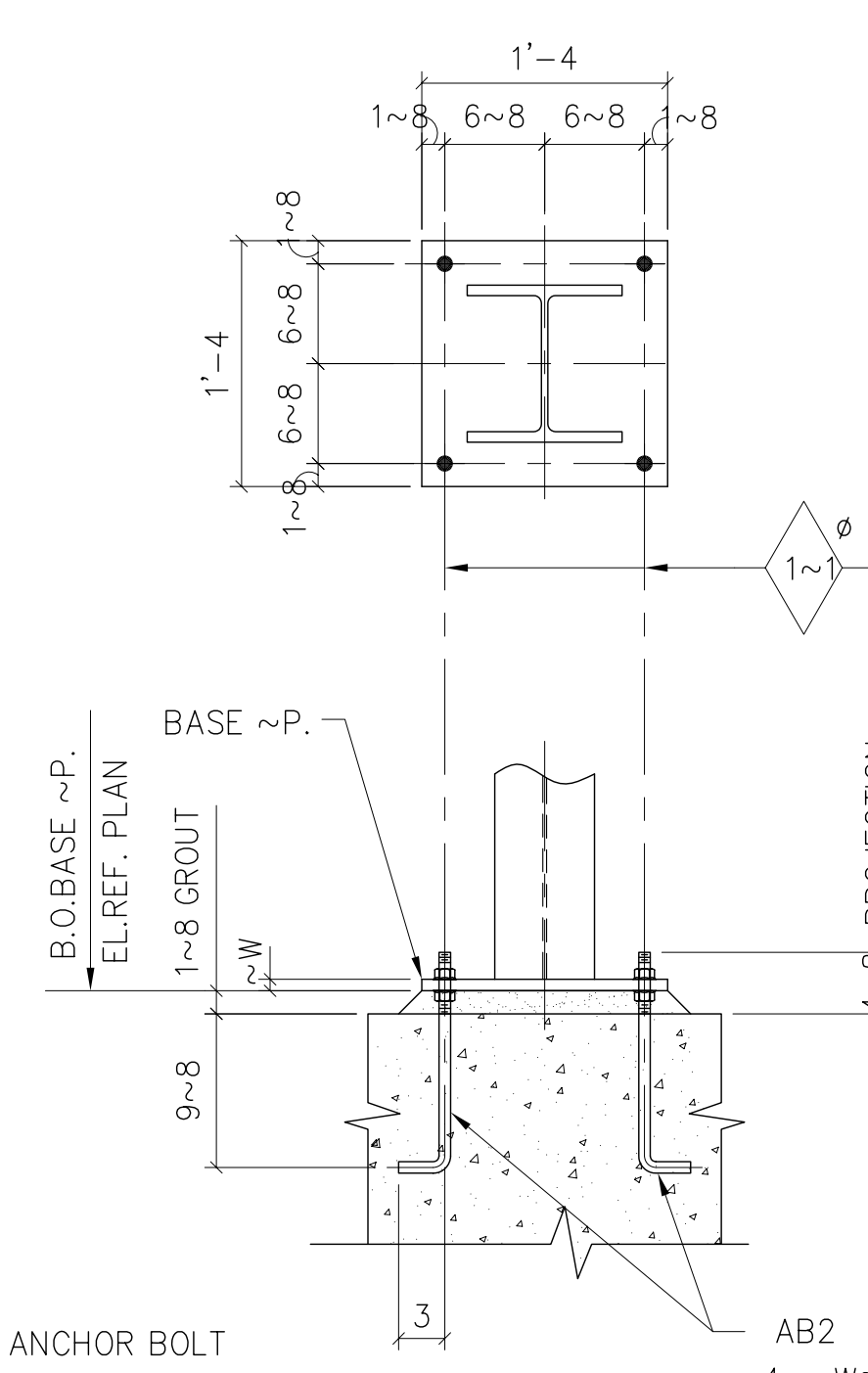
DETAIL - B
(18 LOC.)



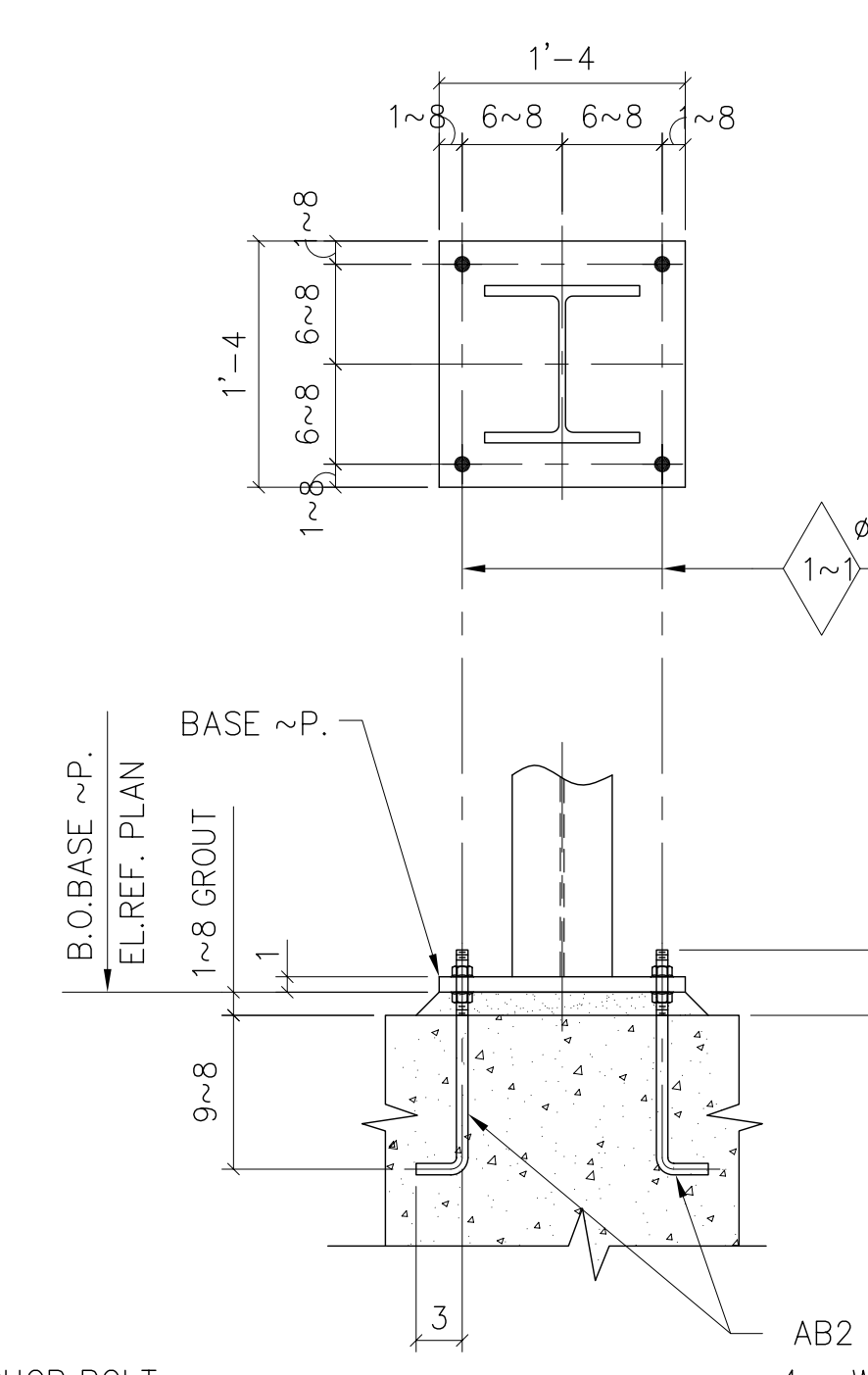
DETAIL - C
(4 LOC.)



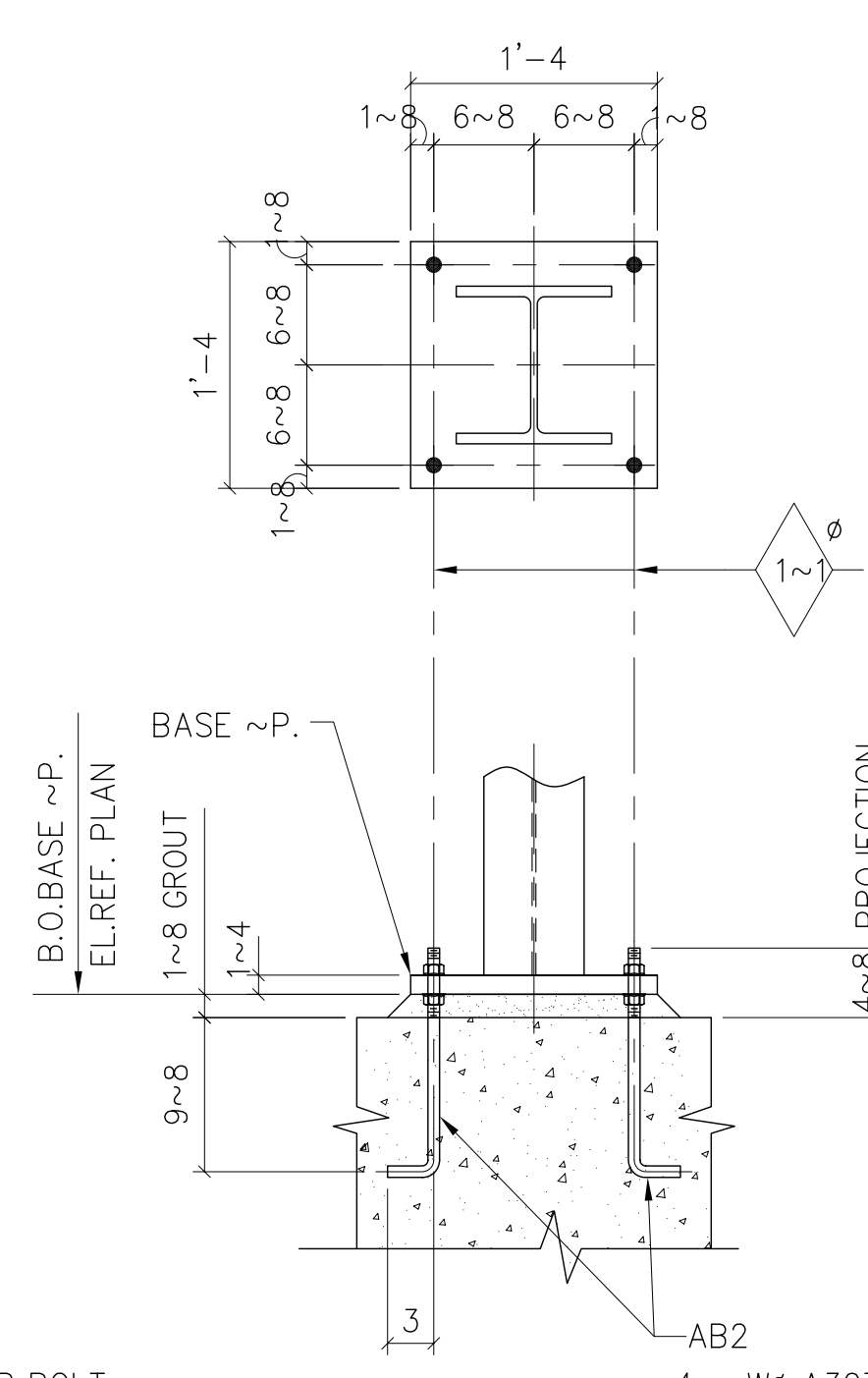
DETAIL - D
(1 LOC.)



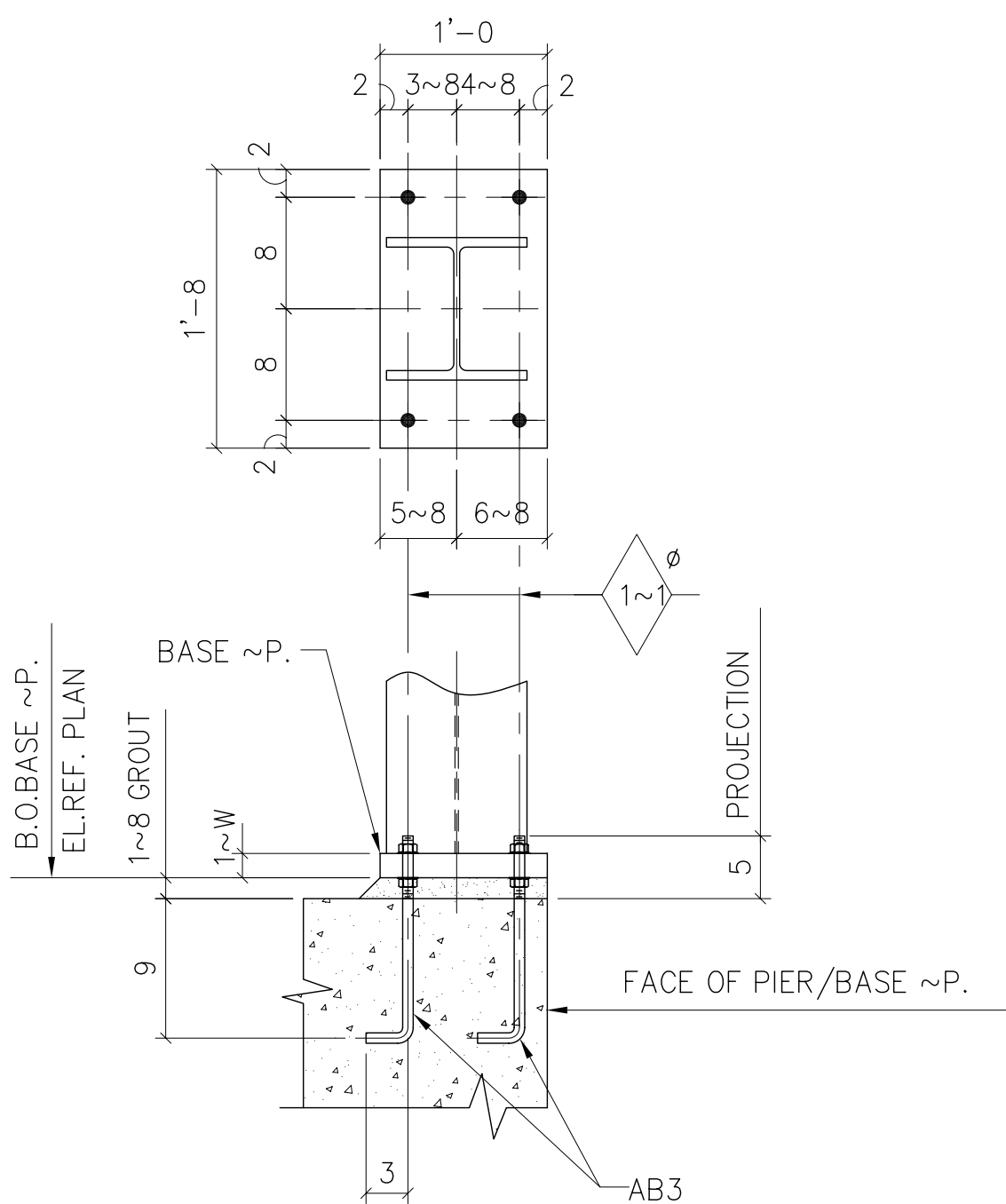
DETAIL - E
(2 LOC.)



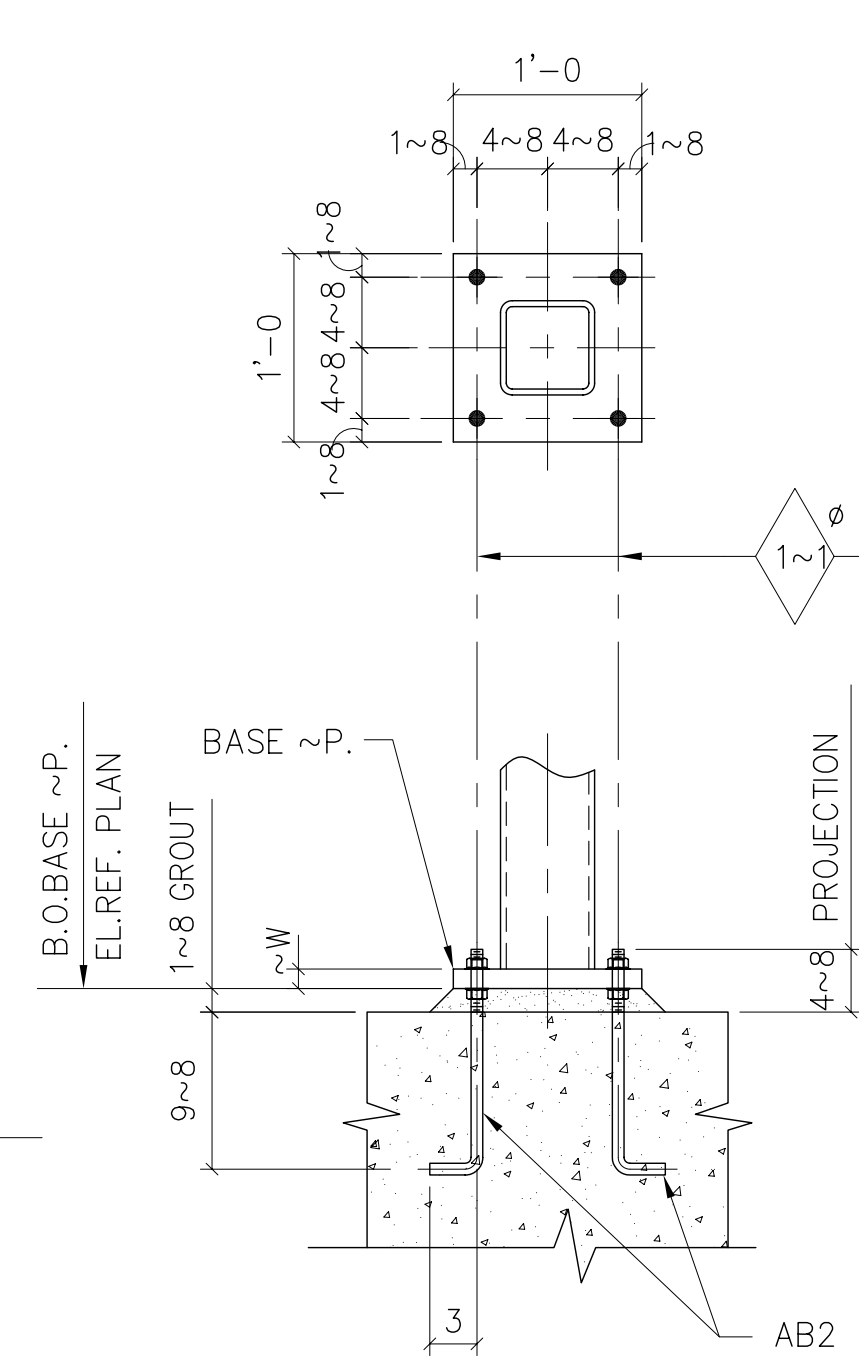
DETAIL - F
(15 LOC.)



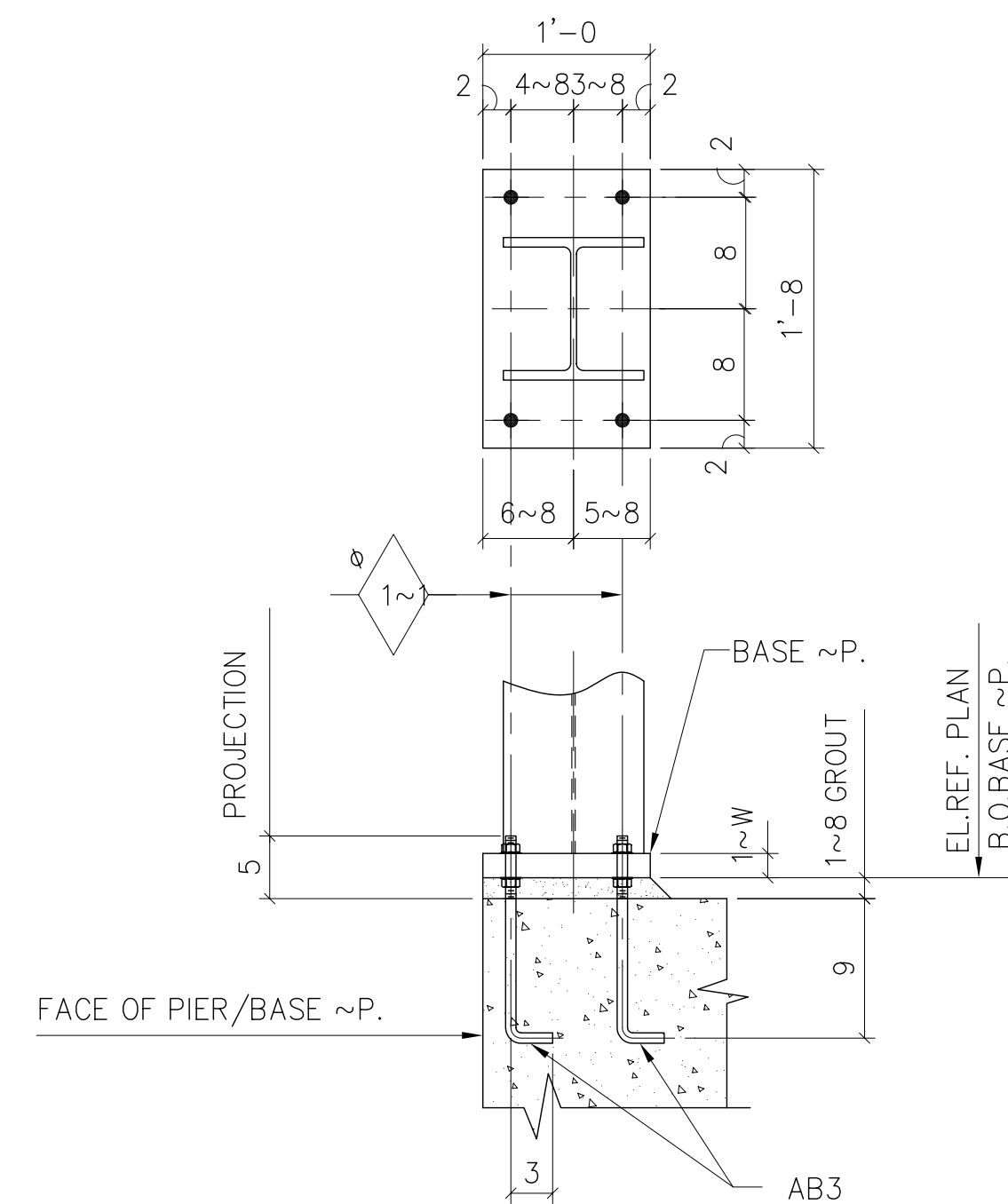
DETAIL - G
(10 LOC.)



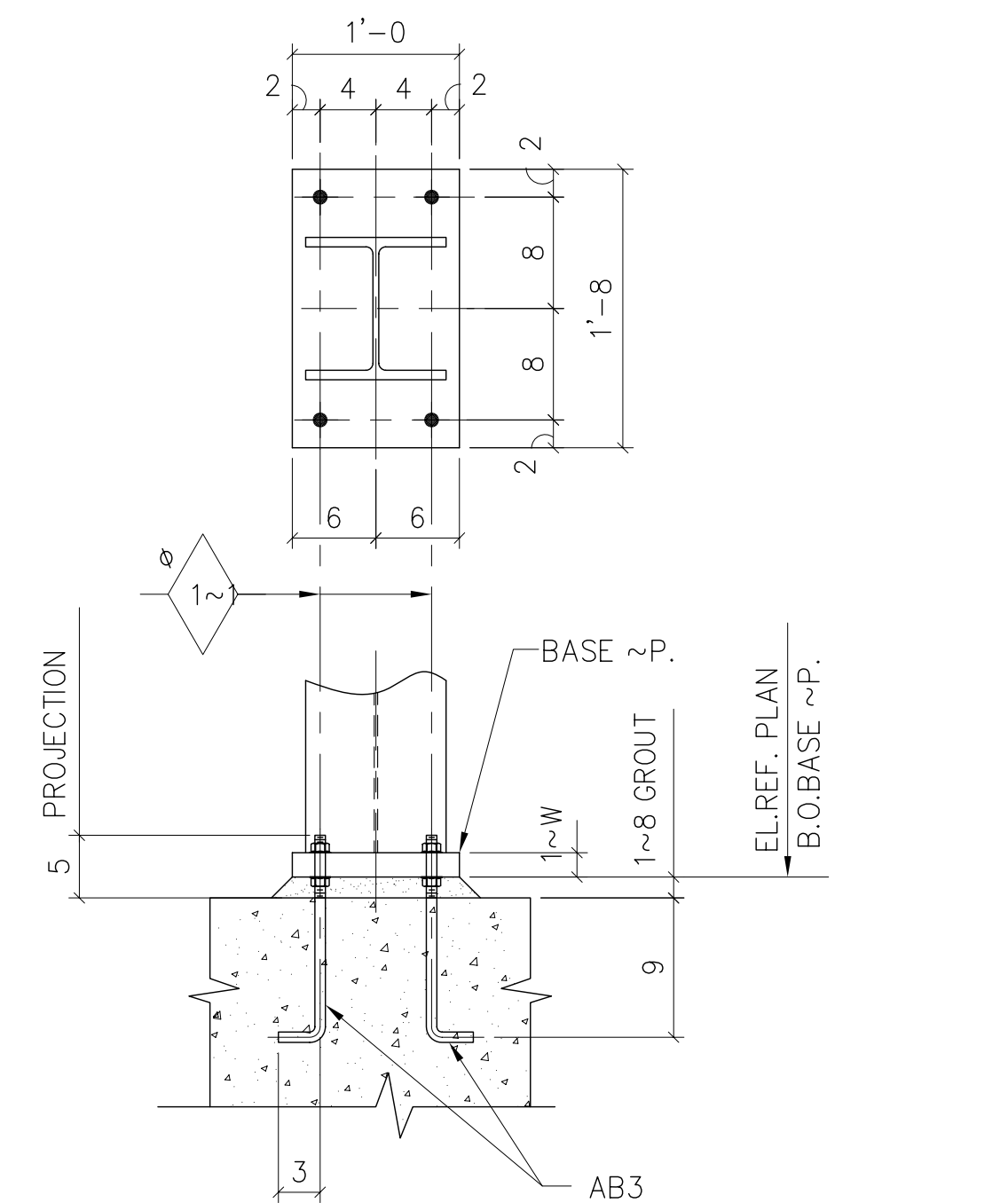
DETAIL - H
(2 LOC.)



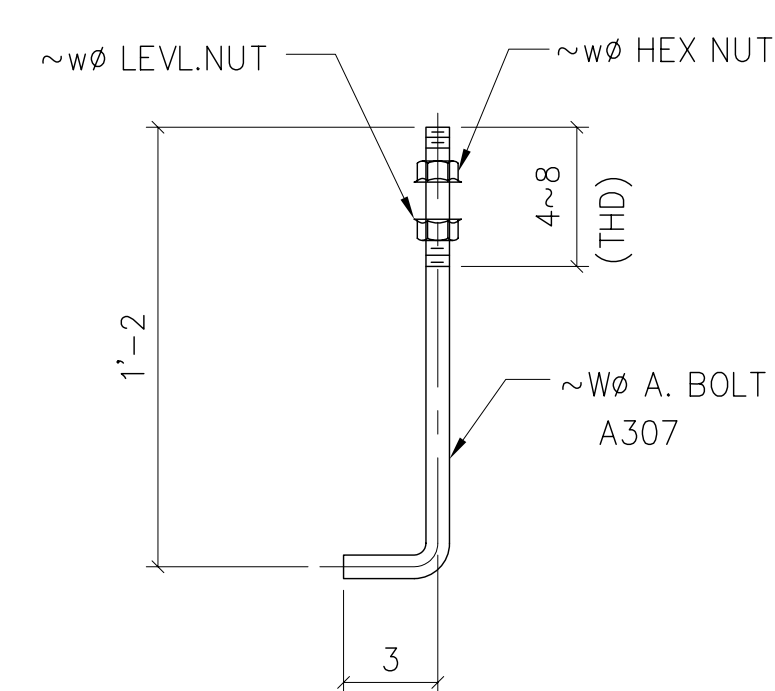
DETAIL - J
(3 LOC.)



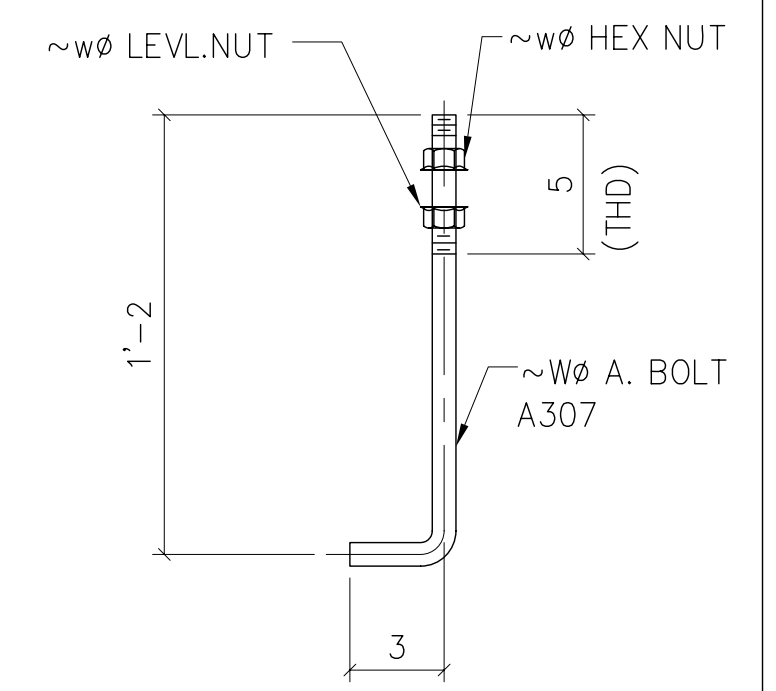
DETAIL - K
(1 LOC.)



DETAIL - L
(1 LOC.)



212 SETS - AB2



16 SETS - AB3

NOTES:

1. REF. DESIGN DWG. NO. S1.1,S2.1,S5 & S7
2. READ THIS DRG. INCONJUNCTION WITH DRG. NO. AB2
3. REFERENCE EL. LEVEL 966'-11~4 T.O.CAFETERIA GRADE SLAB

REAL TECH/REGAL SAMPLE

		APPROVAL	SHOP	FIELD
REV.	DATE	DESCRIPTION	NO. DATE	NO. DATE
13/16 Ø HOLES U.N.O.				
PAINT NOTES				
PREPARATION	FOR _____			
1ST COAT	LOCATION _____			
2ND COAT	CONTRACTOR _____			
3RD COAT	ARCHITECT _____			
TITLE	ANCHOR BOLT PLAN	JOB NO. 24052	CUSTOMER ORDER NO.	SHEET NO. AB3