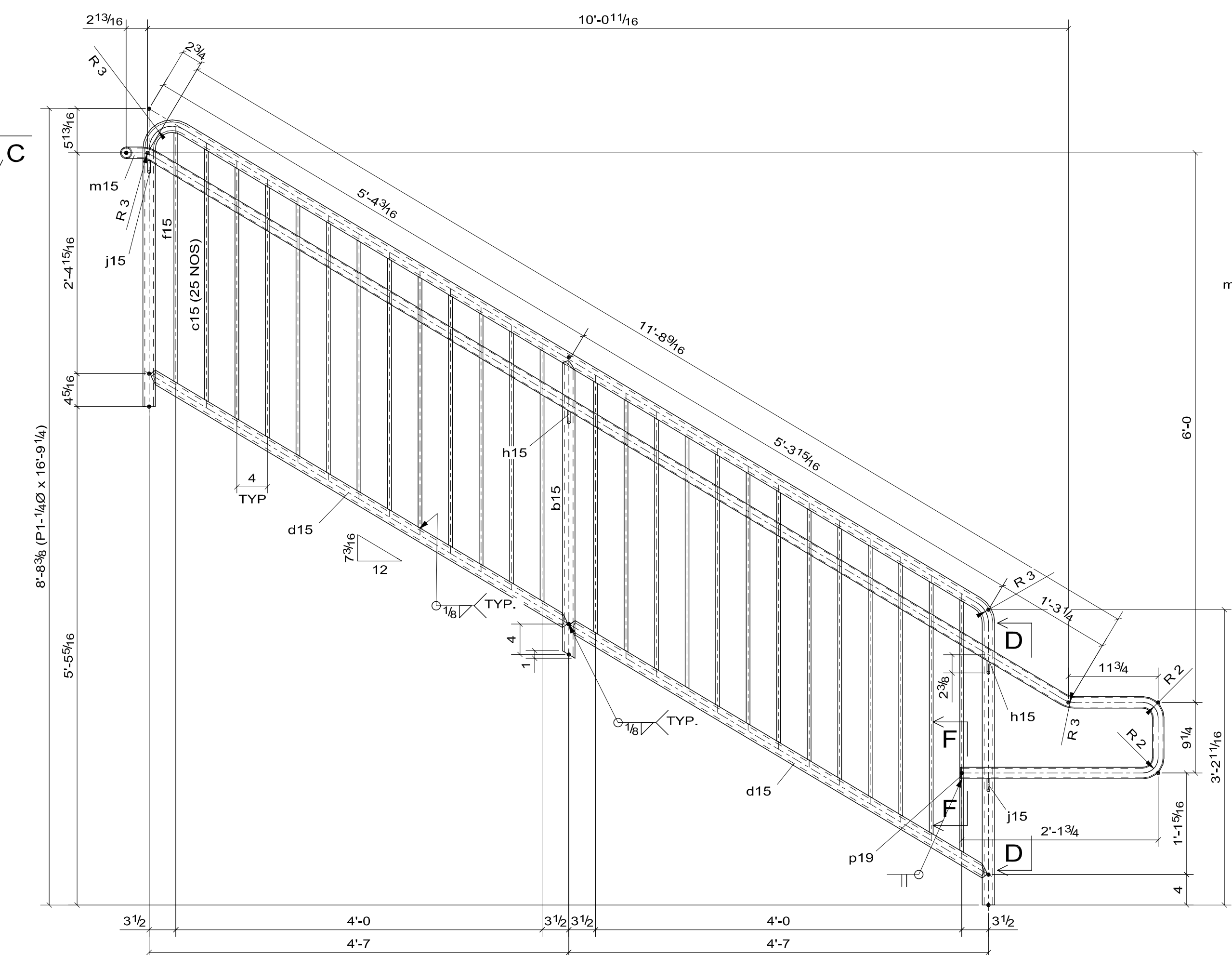
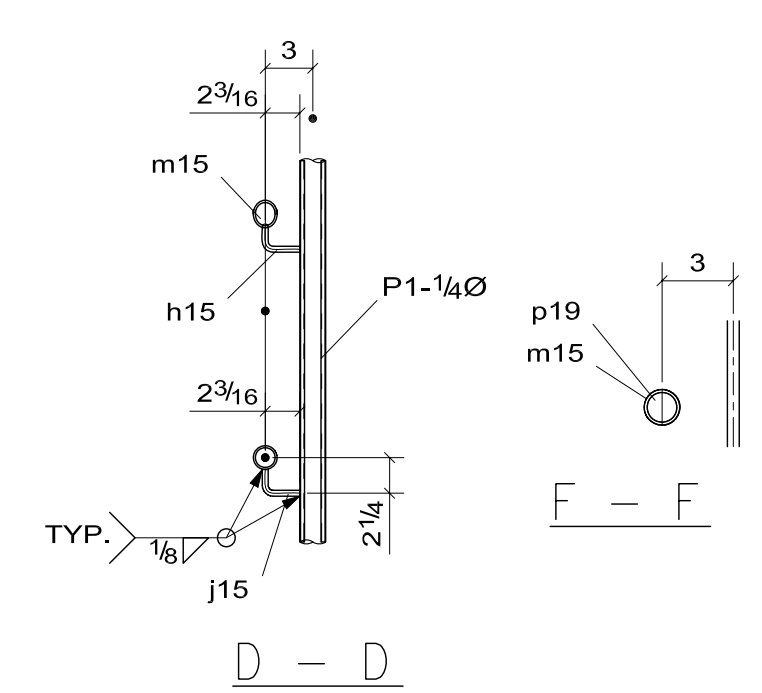
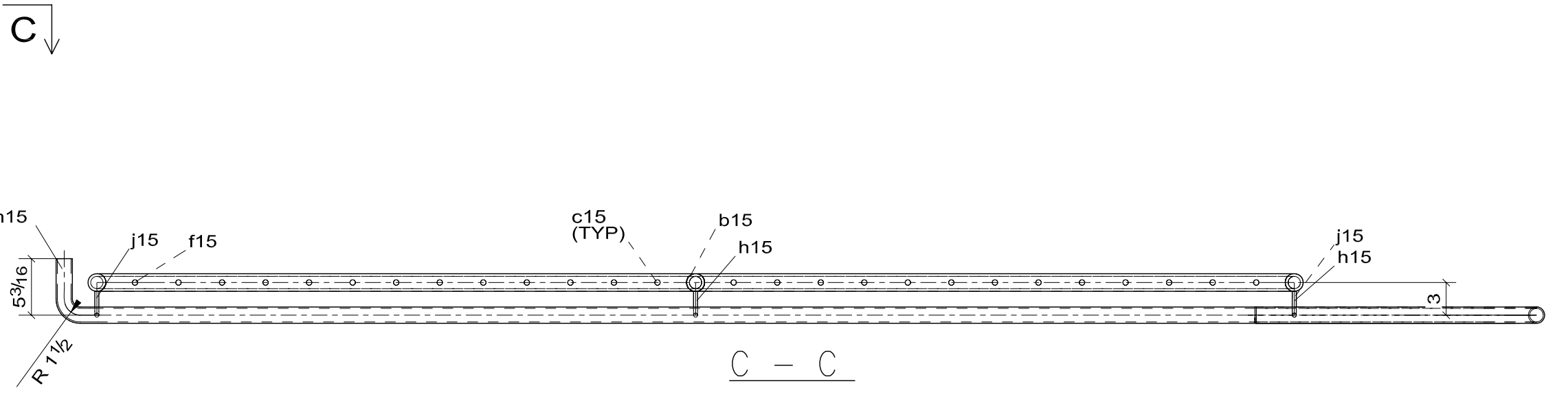


6 - GUARDRAILS - 15GR1



ONE - GUARDRAIL - 15GR2



**REAL TECH/REGAL SAMPLE**

### BILL OF MATERIALS

ITEM	MARK	QTY	DESCRIPTION	LENGTH FEET INCHES	REMARKS	WT.
1	15GR1	6	P11-1/4 Std.	16'-9 5/16"	A53-GR B.	38.19
2	b15	6	P11-1/4 Std.	3'-3"	A53-GR B.	7.40
3	c15	150	RB1/2	2'-9 1/8"	A36	1.82
4	d15	12	P11-1/4 Std.	5'-3 5/8"	A53-GR B.	12.07
5	f15	6	RB1/2	2'-8 7/8"	A36	1.81
6	g15	6	P11-1/2 Std.	12'-3 7/8"	A53-GR B.	33.51
7	h15	12	RB3/8	0'-3 9/16"	A36	0.11
8	j15	6	RB3/8	0'-3 1/2"	A36	0.11
9						
10	15GR2	1	P11-1/4 Std.	16'-9 1/4"	A53-GR B.	38.18
11	b15	1	P11-1/4 Std.	3'-2 15/16"	A53-GR B.	7.39
12	c15	25	RB1/2	2'-9 1/8"	A36	1.81
13	d15	2	P11-1/4 Std.	5'-3 5/8"	A53-GR B.	12.07
14	f15	1	RB1/2	2'-8 13/16"	A36	1.81
15	h15	2	RB3/8	0'-3 9/16"	A36	0.11
16	j15	2	RB3/8	0'-3 1/2"	A36	0.11
17	m15	1	P11-1/2 Std.	16'-0 13/16"	A53-GR B.	43.69
18	p19	1	PL1/8X1 1/2	0'-1 1/2"	A36	0.06
19						
20						
21						
22						
23						
24						
25						
26						
27						
28						
29						
30						
31						
32						
33						
34						
35						
36						
37						
38						
39						
40						
41						
42						

### GENERAL NOTES

1. ALL MATERIAL SHALL BE ASTM A36 U.N.O. WIDE FLANGE SHALL BE A992 U.N.O. TUBE STEEL SHALL BE A500-B AND PIPE SHALL BE A53-B U.N.O.
2. DUPLICATION OF PIECE WORK ALSO INDICATES DUPLICATION OF WELDS.
3. HOLE EDGE DISTANCE SHALL BE 1 1/4" U.N.O.
4. ALL MEMBERS ARE CENTERED ON EACH OTHER U.N.O.
5. ALL TAIL DIMENSIONS ARE TO TOP OF BASE PLATES OR SQUARE END OF BEAM.
6. PLACE ALL SHIPPING MARKS ON LEFT END AND TOP OF PIECE AS DETAILED.
7. ALL STEEL CLEANING SHALL BE SSPC-SP2 (HAND TOOL) OR SSPC-SP3 (POWER TOOL) U.N.O.
8. ERECT ALL STEEL WITH SHIPPING MARK IN POSITION SHOWN ON ERECTION PLAN.
9. ALL WELDING ELECTRODES SHALL BE E70XX U.N.O.
10. COPE ALL RE-ENTRANT CORNERS 1/2" MIN. NOTCH FREE.

ALL WELDS ARE \_\_\_\_\_ FILLET U.N.O. OPEN HOLES ARE \_\_\_\_\_ Ø U.N.O.

PAINT: 1-S/C GRAY OXIDE

REV.	DESCRIPTION	BY	DATE

FOR APPROVAL: \_\_\_\_\_ TO SHOP: \_\_\_\_\_ TO FIELD: \_\_\_\_\_

R & R APPROVAL: \_\_\_\_\_ AS BUILT: \_\_\_\_\_

JOB NAME:	DRAWN BY:	CHECKED BY:
LOCATION:	SCALE:	
ARCH/ENGR:	DATE:	
CONTRACTOR:	JOB NUMBER	SHEET
DESCRIPTION:	GUARDRAIL DETAIL	15