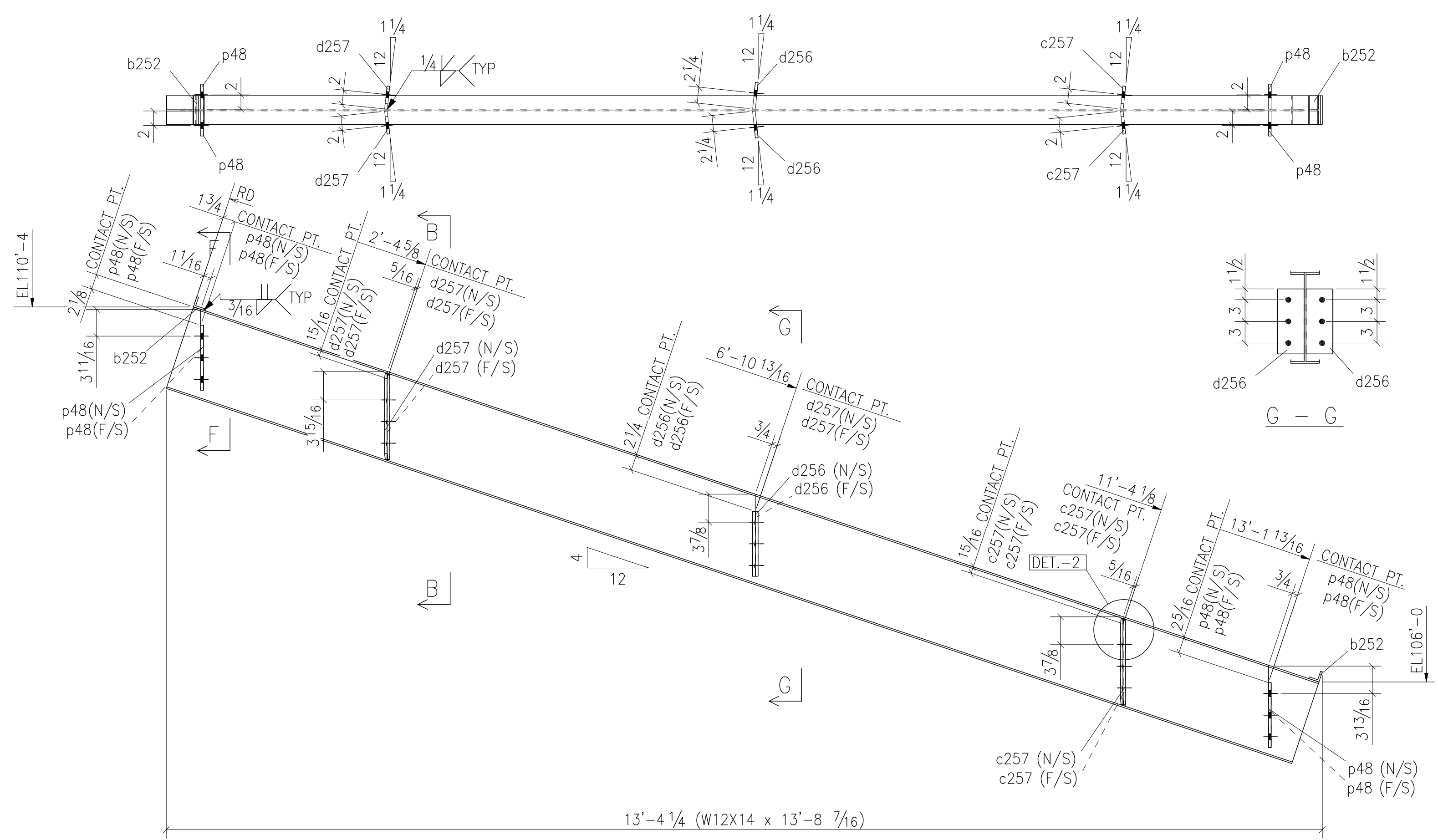
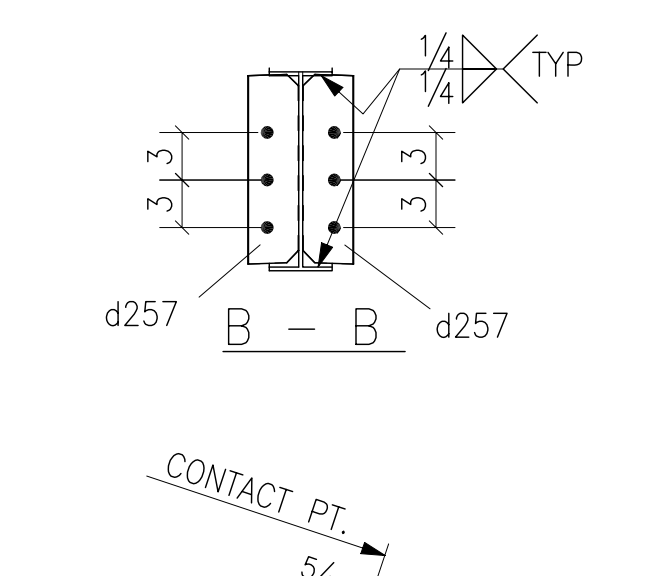
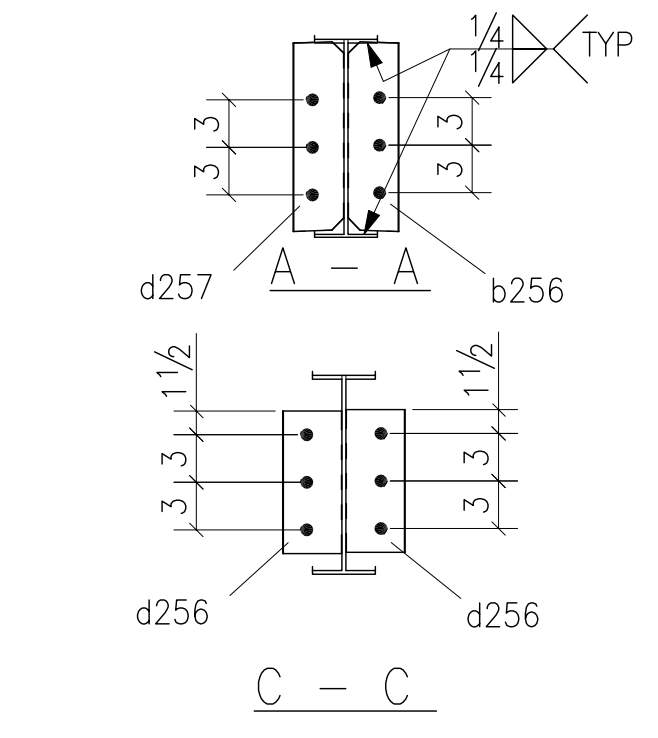
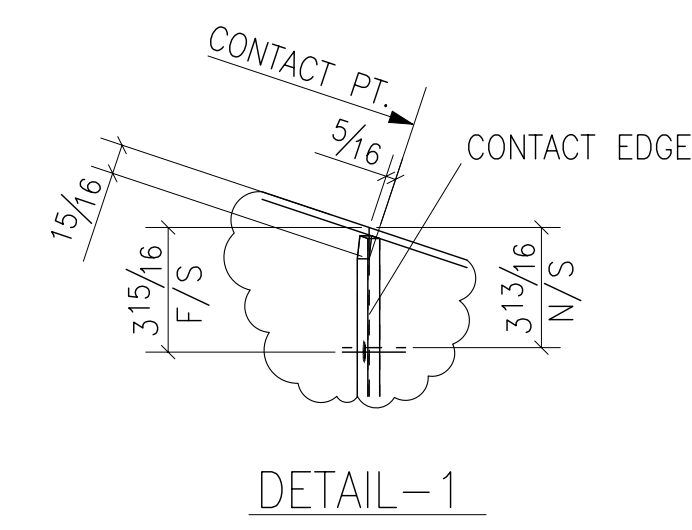


ONE - BEAM - 258B1



ONE - BEAM - 258B2

REAL TECH/REGAL SAMPLE



BILL OF MATERIALS

ITEM	MARK	QTY	DESCRIPTION	LENGTH		REMARKS	WT.
				FEET	INCHES		
1	258B1	1	W12X14	13'-8	7/16"	A992	194
2	b252	2	L1-1/2X1-1/2X1/4	0'-4"		A36	0.77
3	b256	2	PL3/8X3 3/16	1'-0"		A36	3.96
4	c257	1	PL3/8X3 3/16	1'-0"		A36	3.96
5	c258	4	PL3/8X9	0'-3	7/16"	A36	3.31
6	d256	2	PL3/8X9	0'-3	3/4"	A36	3.55
7	d257	1	PL3/8X3 3/16	1'-0"		A36	3.96
8							
9	258B2	1	W12X14	13'-8	7/16"	A992	194
10	b252	2	L1-1/2X1-1/2X1/4	0'-4"		A36	0.77
11	c257	2	PL3/8X3 3/16	1'-0"		A36	3.96
12	c258	4	PL3/8X9	0'-3	7/16"	A36	3.31
13	d256	2	PL3/8X9	0'-3	3/4"	A36	3.55
14	d257	2	PL3/8X3 3/16	1'-0"		A36	3.96
15							
16							
17							
18							
19							
20							
21							
22							
23							
24							
25							
26							
27							
28							
29							
30							
31							
32							
33							
34							
35							
36							
37							
38							
39							
40							
41							
42							

GENERAL NOTES

1. ALL MATERIAL SHALL BE ASTM A36 U.N.O. WIDE FLANGE SHALL BE A992 U.N.O. TUBE STEEL SHALL BE A500-B AND PIPE SHALL BE A53-B U.N.O.
2. DUPLICATION OF PIECE WORK ALSO INDICATES DUPLICATION OF WELDS.
3. HOLE EDGE DISTANCE SHALL BE 1 1/4" U.N.O.
4. ALL MEMBERS ARE CENTERED ON EACH OTHER U.N.O.
5. ALL TAIL DIMENSIONS ARE TO TOP OF BASE PLATES OR SQUARE END OF BEAM.
6. PLACE ALL SHIPPING MARKS ON LEFT END AND TOP OF PIECE AS DETAILED.
7. ALL STEEL CLEANING SHALL BE SSPC-SP2 (HAND TOOL) OR SSPC-SP3 (POWER TOOL) U.N.O.
8. ERECT ALL STEEL WITH SHIPPING MARK IN POSITION SHOWN ON ERECTION PLAN.
9. ALL WELDING ELECTRODES SHALL BE E70XX U.N.O.
10. COPE ALL RE-ENTRANT CORNERS 1/2" MIN. NOTCH FREE.

ALL WELDS ARE _____ FILLET U.N.O. OPEN HOLES ARE _____ Ø U.N.O.

PAINT: 1-S/C GRAY OXIDE

REV.	DESCRIPTION	BY	DATE

FOR APPROVAL:	TO SHOP:	TO FIELD:
R & R APPROVAL:		AS BUILT:
JOB NAME:	DRAWN BY:	CHECKED BY:
LOCATION:	SCALE:	
ARCH/ENGR:	DATE:	
CONTRACTOR:	JOB NUMBER:	SHEET
DESCRIPTION: BEAM DETAIL		258