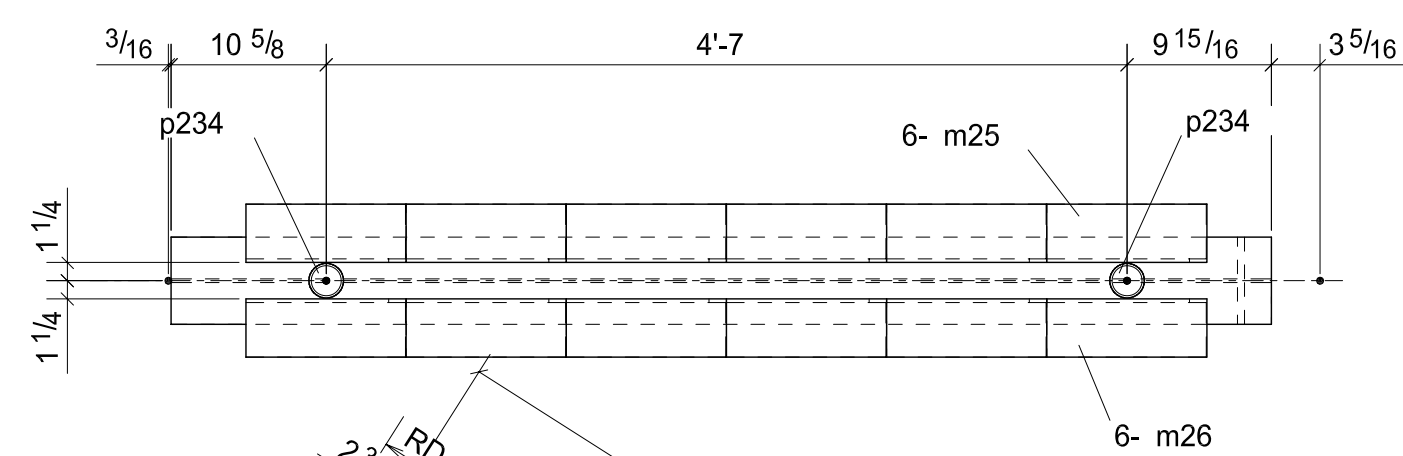
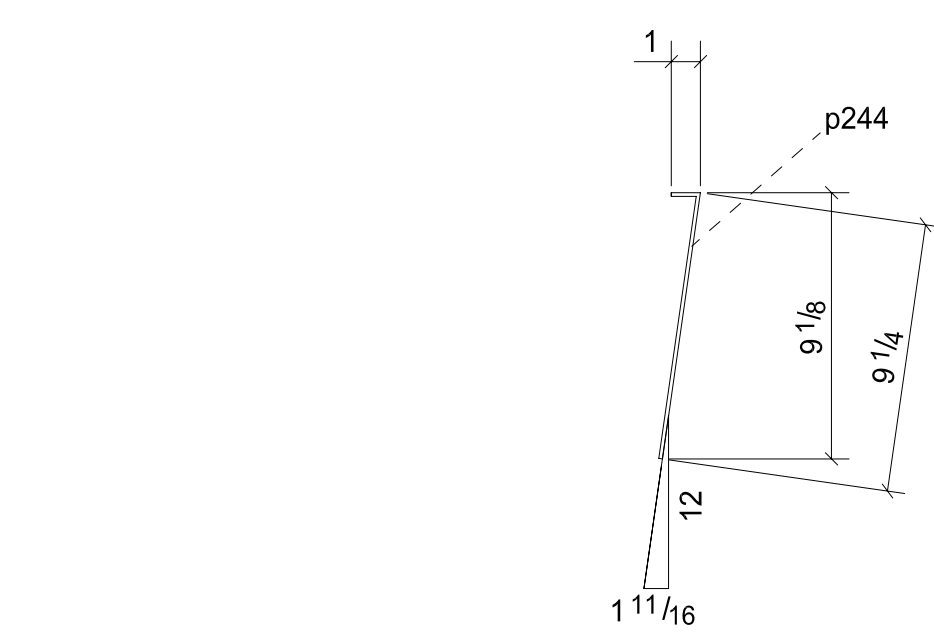


PLAN VIEW

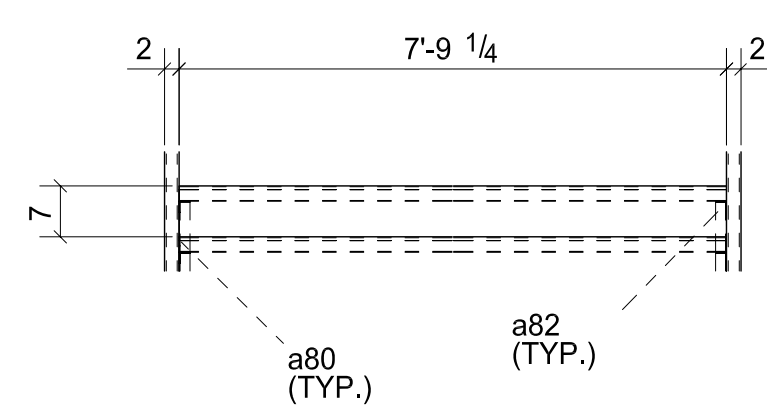


VIEW L - L

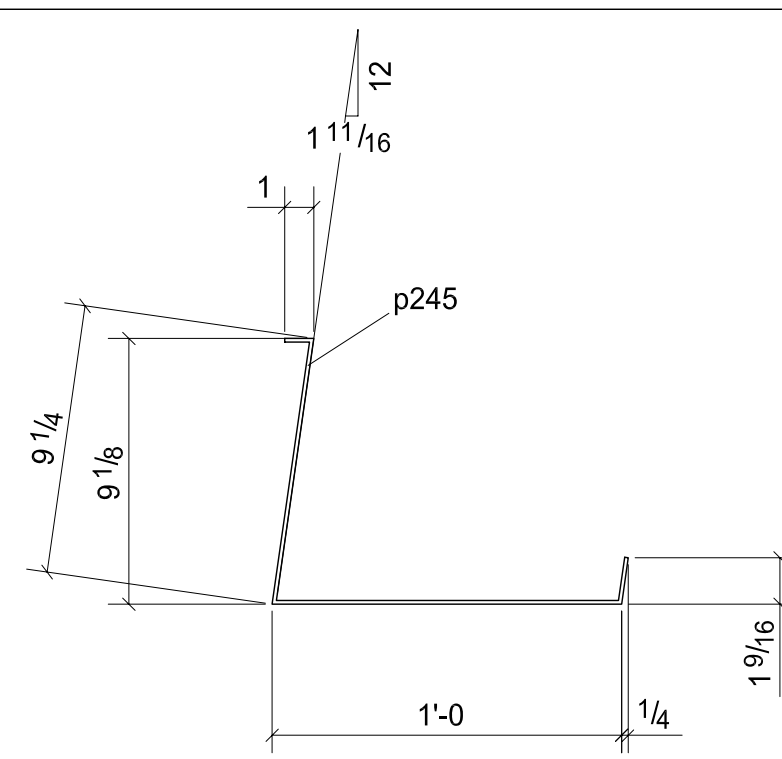
ONE - STAIR - 260ST1



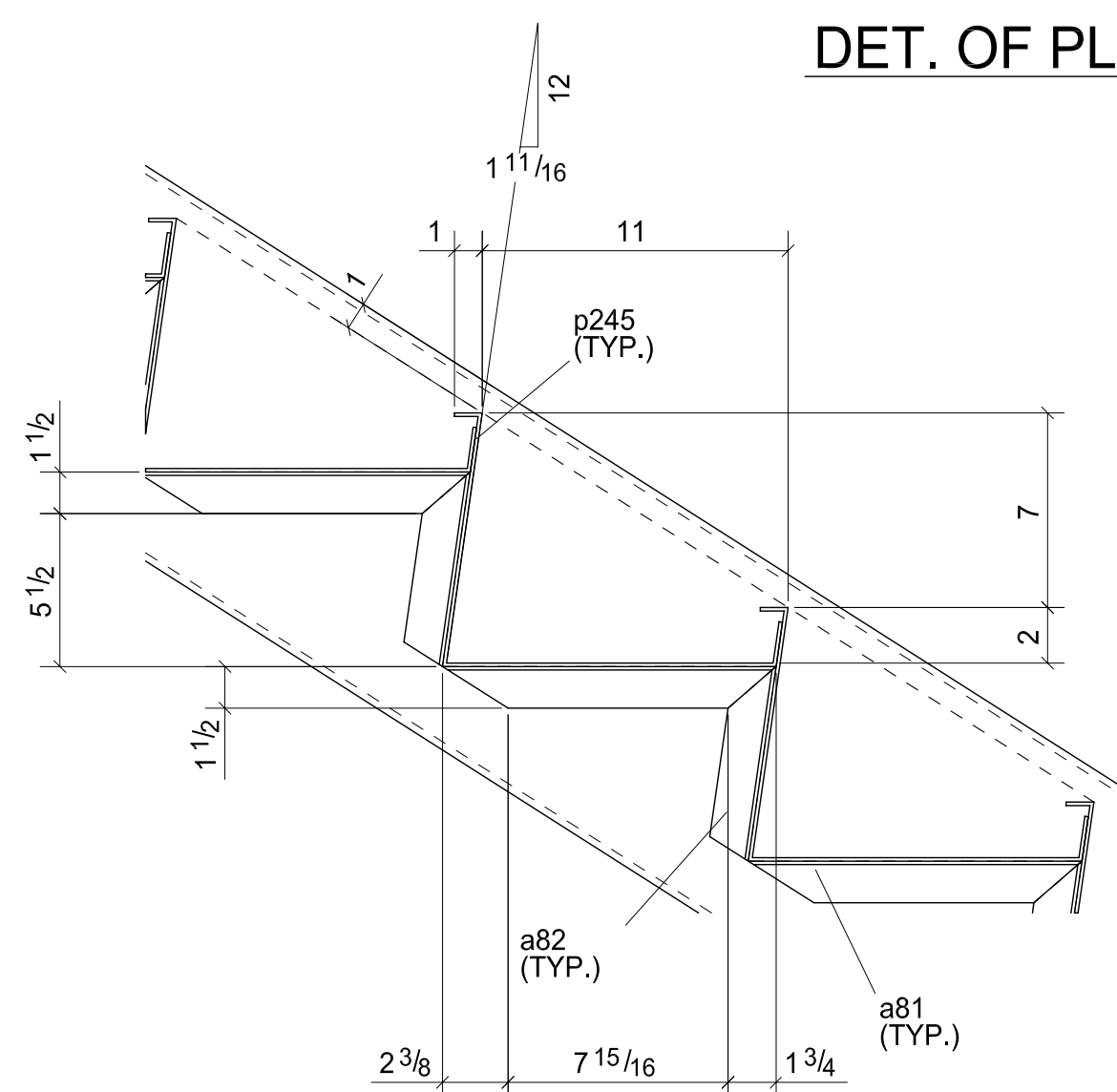
DET. OF PLAN PLATE p244



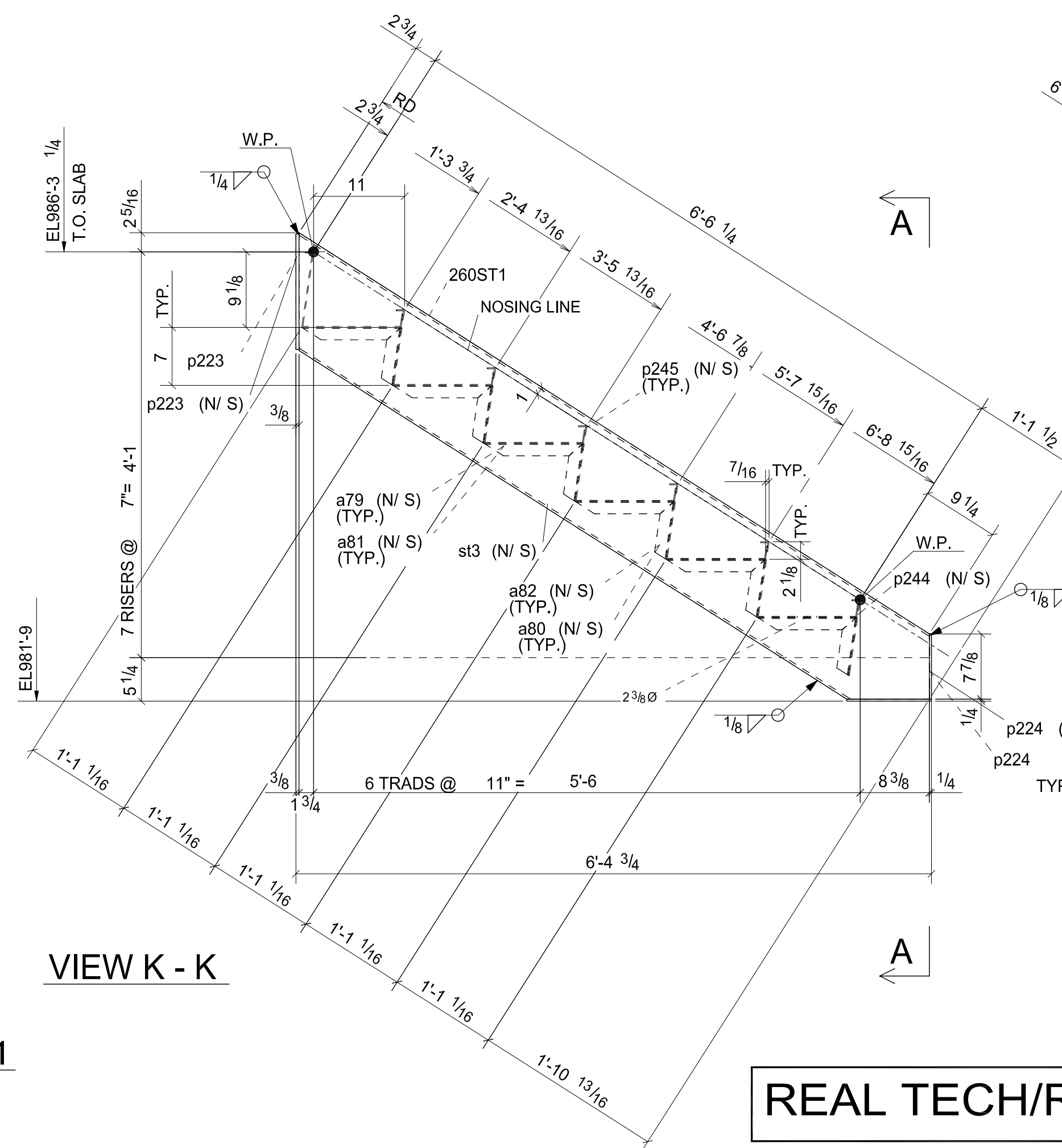
A - A



DET. OF PLAN PLATE p245

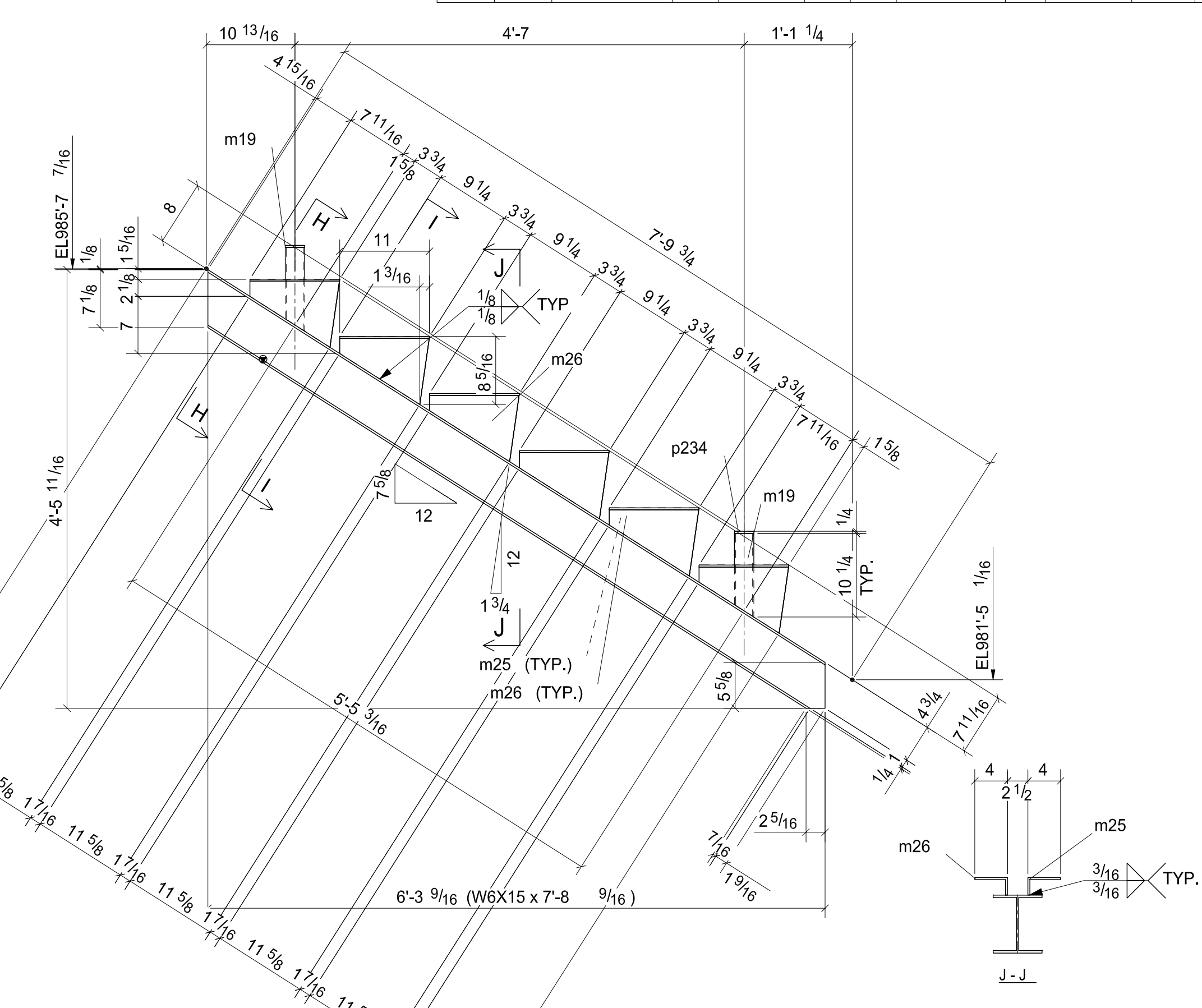


DETAIL 1



VIEW K - K

REAL TECH/REGAL SAMPLE



ONE - SUPPORT BEAM - 260B2

BILL OF MATERIAL											
Quantity	Quantity	Part	Place	Weight	Weight	Remarks	Mtr	Steel	Sequence	Sequence	
Unit	Total	Description	Mark	Length	Unit	Total	Mark	Grade	Numbers	Quantity	
1	WBX15	260B2	7'-8 9/16"	116.3						A572-50	
2	PIPE 2\"/>										

REV.	DATE	DESCRIPTION	NO.	DATE	NO.	DATE

13/16 Ø HOLES U.N.O. PAINT NOTES PREPARATION SSSP - SP3 1ST COAT SHOP PRIMER 2ND COAT WELD ELECTRODES E70XX TITLE STAIR DETAIL	APPROVAL SHOP FIELD FOR LOCATION CONTRACTOR ARCHITECT DRAWN BY CHECKED BY JOB NO. CUSTOMER ORDER NO.	BILLED BY SCALE SHEET NO. 260
---	--	-------------------------------------